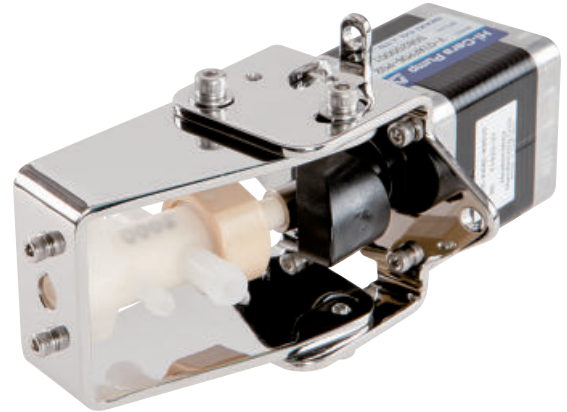


IWAKI
HI-CERA
PUMPS

V-07AFP06-P



High precision fixed dosing pump optimized for dialysis machines

Example of applications: Delivery of A and B dialysates and liquid removal

High-temperature capability

Can be cleaned with water as hot as 95°C.

Variable discharge

Discharge rate of 0.1 or 0.2 milliliters per shot can be selected by adjusting the angle setting on the pump head. (Configurable at time of order)

Rotation sensor

With an integrated rotation sensor, the pump quickly detects errors and easily monitors discharge rates.

High torque motor

The V-07AFP06 is equipped with a bipolar stepper motor. The motor generates approximately twice the torque output, with the same electric current, than the conventional unipolar motor. This eliminates problems such as plunger lock.

Cleaning port

The cleaning port prevents seizing of the plunger. The plunger surface is kept clean at all times, allowing it to operate freely whenever needed.

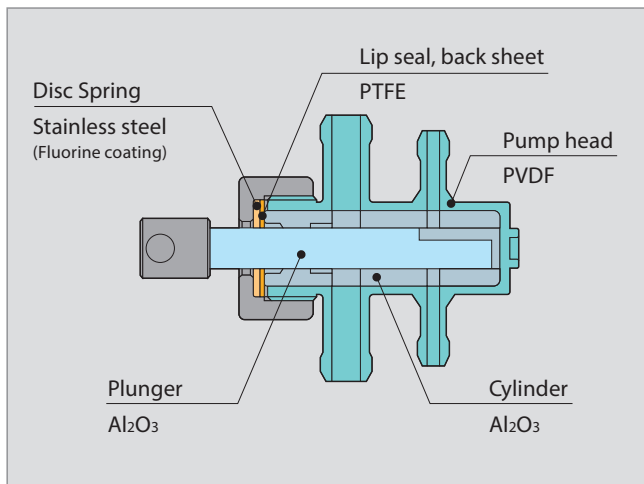
Specifications

| V - 07 A F P 06 - P | | |
|------------------------------------|--|----------------|
| Model | 01 | 02 |
| 1 shot flow | 0.1 mL | 0.2 mL |
| Flow rate | 0.5 to 30 mL/min | 1 to 60 mL/min |
| Stroke rate | 5 to 300 rpm | |
| Precision dosing | ±1 % ^{Note 1} | |
| Max. discharge pressure | 200 kPa | |
| Liquid temperature | 10 to 40 °C | |
| Temperature for hot water cleaning | Max. 95 °C (do not clean for more than 30 minutes at a time) | |
| Atmosphere temperature | 0 to 50 °C ^{Note 2} | |
| Weight | 700 g | |
| Dimensions | 143 mm × 78.5 mm × 77 mm | |
| Motor | 2-phase bipolar stepper motor | |
| Power voltage range | 24 VDC | |

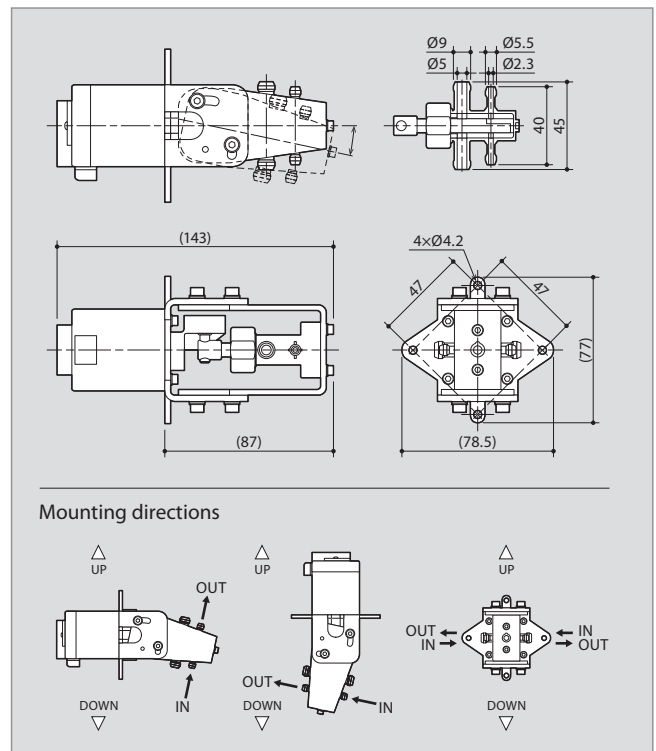
Note 1: Operated under the following conditions: 100 rpm speed, 10 shots and no pressure.

Note 2: 0 to 60°C during cleaning

Wet end materials



Dimensions in mm



<https://www.iwaki.de>

IWAKI Europe GmbH, Siemensring 115, 47877 Willich, Germany
TEL: +49 2154 9254 10 FAX: +49 2154 9254 48 E-Mail: sales@iwaki.de

⚠ Caution for safety use: Before use of pump, read instruction manual carefully to use the product correctly. Actual pumps may differ from the photos. Specifications and dimensions are subject to change without prior notice. For further details please contact us.

⚠ Legal attention related to export. Our products and/or parts of products fall in the category of goods contained in control list of international regime for export control. Please be reminded that export license could be required when products are exported due to export control regulations of countries.

The posting and copying from this catalogue without permission is not accepted firmly.